



# PENDANT PCB LED 7W - 350mA

## PCB + DISIPADOR

Ref. **546002404430** 700lm 23,1V 3000°K 350mA

Ref. **546002404433** 700lm 23,1V 4000°K 350mA

- Power: 7W
- 14 SMD 5630
- Electrical class: Class II
- No dimmable
- Colour: 3000°K o 4000°K
- Maximum ta value: ta 40°C
- Maximum tc value: tc 85°C
- CRI > 80
- LED aperture: 120°
- Dissipation temperature: Heat dissipation is not required.
- Storage temperature: - 10°C - 50°C
- Risk group: IEC 62471 GR0
- Power supplies should be compliant with all applicable European directives




LED module to incorporate

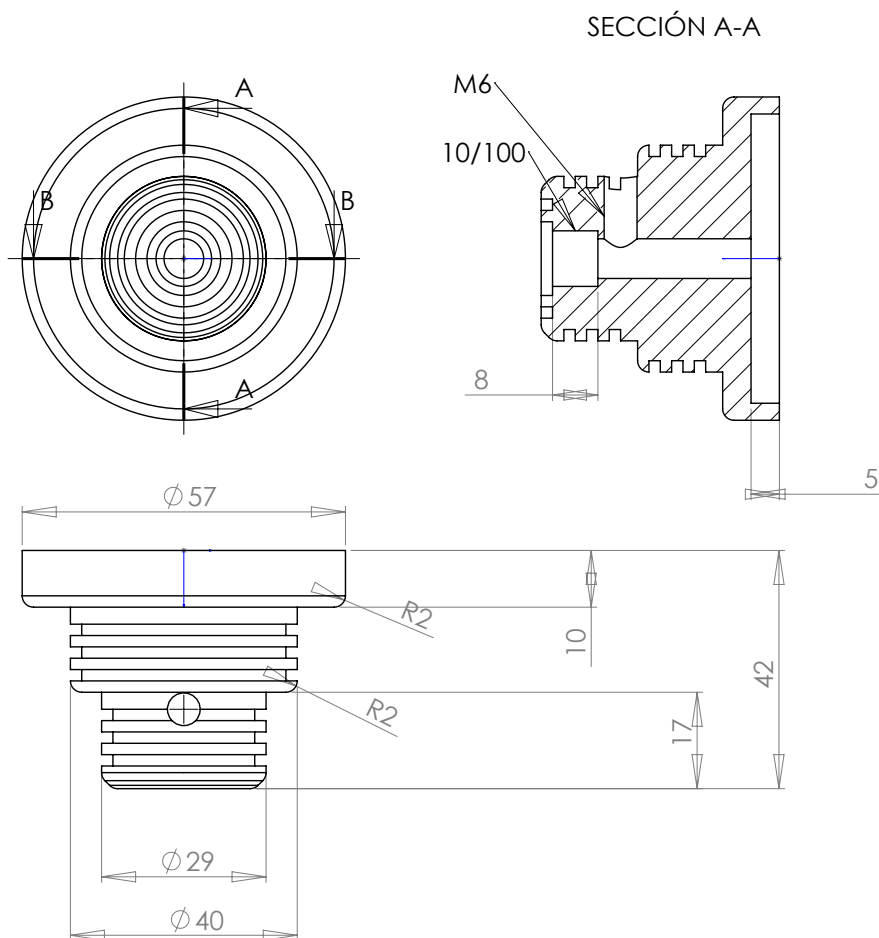
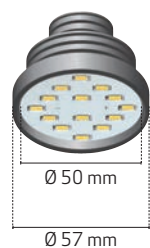


30.000 h

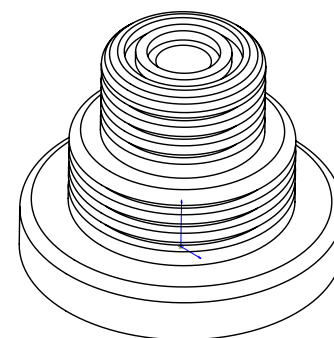
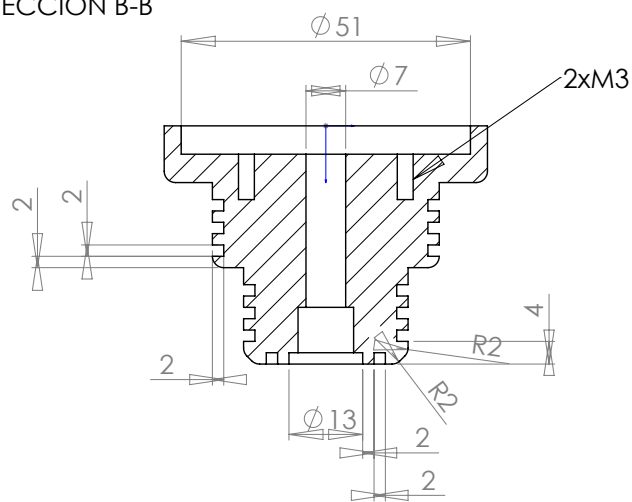


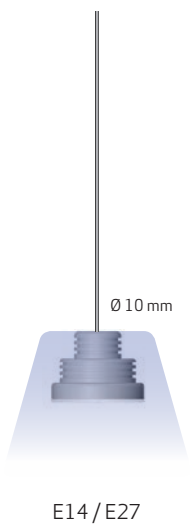
## DRIVER RECOMMENDED

	qty PCB			L x W x H mm			
	Ref. <b>547004000000</b>	14 SMD	x1	Max. 250 mA 24VDC	6 W	595 lm	40x50x 22



SECCIÓN B-B





#### SAFETY:

- The LED module should be installed on a clean, flat assembly surface to ensure that acceptable operating temperatures are not exceeded.
- Device sensitive to electrostatic discharges (ESD). Handle with care in order to avoid such discharges.
- The LED module should be installed by a qualified technician.
- This product should only be used for lighting purposes. Incorporate use model in lamps.
- Active parts should not be accessible to consumers.
- Store in a dry, covered place

