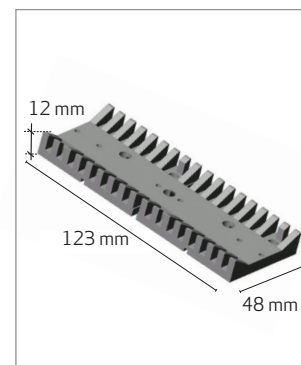
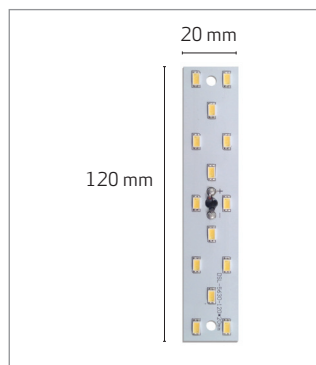


# STANDARD PCB LED 6 W - 350mA



## PCB + HEATSINK

Ref. **546004400430** 6 W 700 lm 23,1V 3000°K 350mA

Ref. **546004400433** 6 W 700 lm 23,1V 4000°K 350mA

## PCB

Ref. **546504000000** 3000°K

Ref. **546504000001** 4000°K

## HEATSINK

Ref. **546004000000**



LED module to incorporate



30.000 h



### SAFETY:

— The LED module should be installed on a clean, flat assembly surface to ensure that acceptable operating temperatures are not exceeded.

— Device sensitive to electrostatic discharges (ESD). Handle with care in order to avoid such discharges.

— The LED module should be installed by a qualified technician.

— This product should only be used for lighting purposes. Incorporate use model in lamps.


— Active parts should not be accessible to consumers.

— Store in a dry, covered place



- Disponible con o sin disipador
- 14 SMD 5630
- Electrical class: Suitable for class I and class II applications.
- Dimmable
- Colour: 3000°K o 4000°K
- Maximum ta value : ta 40°C
- Maximum tc value : tc 85°C,
- CRI > 80
- LED aperture: 120°
- Dissipation temperature: Always install the Module LED on a heat dissipating surface. Recommended on metal surfaces.
- Storage temperature: - 10°C - 50°C
- Risk group: IEC 62471 GRO
- Power supplies should be compliant with all applicable European directives
- With Thermal Conductive Phad

## DRIVER RECOMMENDED

	qty PCB			L x W x H mm			
	Ref. <b>547004000000</b>	14 SMD	x1	Max. 250 mA 24VDC	6 W	595 lm	40x50x 22